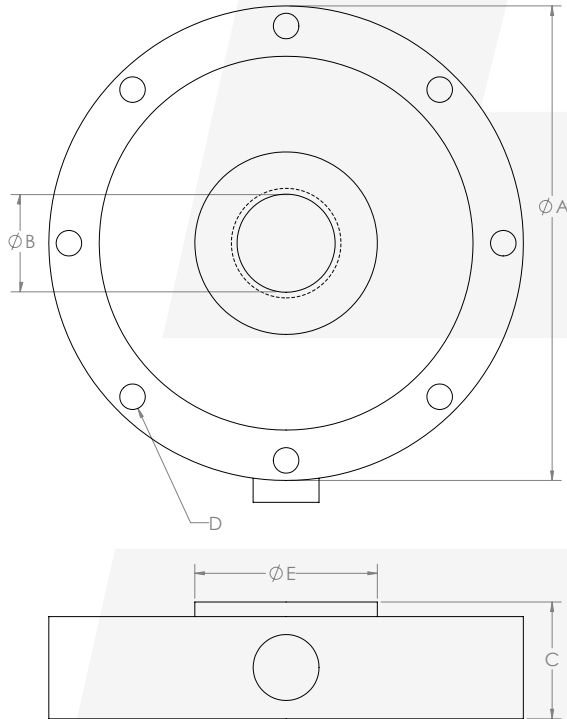




**Custom High Capacity Pancake Load Cell**



A	Overall Diameter	Customer Specified
B	Thru Hole Diameter	Customer Specified
C	Overall Thickness	Customer Specified
D	Custom Mounting Pattern	Customer Specified
E	Contact Surface Diameter	Customer Specified



**STANDARD PERFORMANCE SPECIFICATIONS**

MODEL / TYPE	High Capacity Pancake Load Cell
CAPACITY (FS)	500,000 to 5,000,000 lbs
OUTPUT	2.0 mV/V (Nominal), Others Available
BRIDGE RESISTANCE	350 Ohms (Nominal), Others Available
MAXIMUM ERROR (ACCURACY)	0.05 to 0.25% of FS
ZERO BALANCE	1% of FS
STANDARD OPERATING TEMP RANGE	-20 to +400°F (-29 to +120°C)
OPTIONAL OPERATING TEMP RANGE	-452 TO 450°F (-269 to 230 °C)
SAFE OVERLOAD	150% of FS
ENVIRONMENTAL PROTECTION	Lab Environment to Fully Submersible/Waterproof
MATERIAL OPTIONS	Stainless Steel, Aluminum, Titanium

**FEATURES**

- NIST traceable calibration to 3,000,000 lbs
- Operation in tension and compression
- Capacity 500,000 to 5,000,000 lbs
- 150% Overload capacity
- Heat treated stainless steel construction

**OPTIONS**

- Higher output mV/V
- High level output (0-5 VDC, 0-10 VDC, 4-20mA)
- Harsh environment capabilities
- Custom mounting configurations
- Material options available: Aluminum, Titanium, Beryllium Copper
- Fully submersible/waterproof
- Cryogenic and high temperature
- Custom cable lengths and connectors available

CONTACT US FOR YOUR CUSTOM APPLICATIONS

508-992-0872

800-849-4016

info@sensing-systems.com

www.sensing-systems.com

MAILING ADDRESS:

P.O. BOX 50180 NEW BEDFORD, MA 02745

SHIPPING ADDRESS:

263 BROOK STREET, NEW BEDFORD, MA 02745

®THIS DRAWING / SPECS ARE NOT TO BE COPIED OR DISTRIBUTED IN WHOLE OR IN PART BY ANY FIRM OR INDIVIDUAL WITHOUT WRITTEN PERMISSION FROM SENSING SYSTEMS